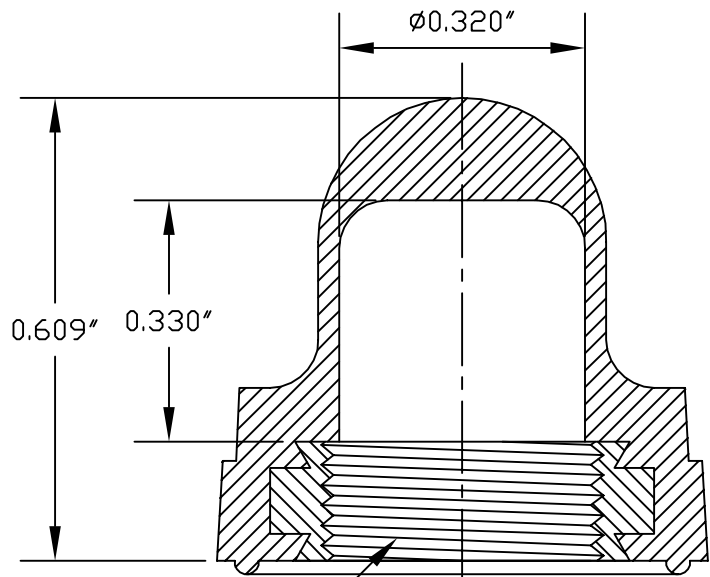
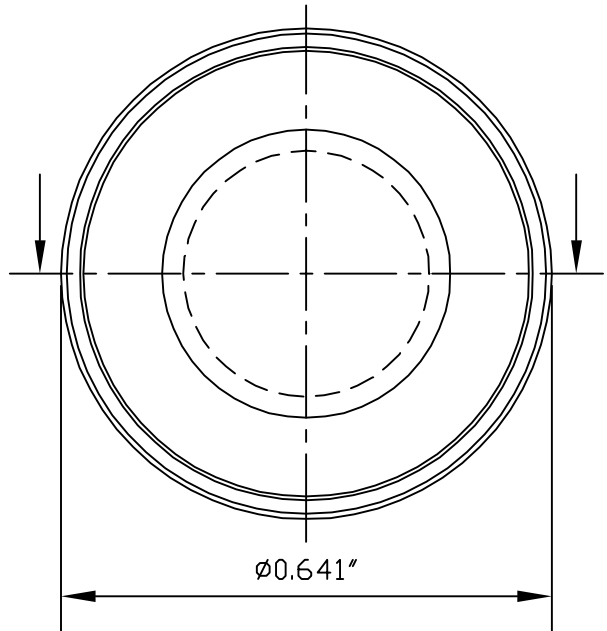


SPECIFICATIONS

Material: HEXSEALS: Silicone rubber conforms to A-A-59588 Class III, GR 60 unless otherwise specified.
Mounting Nut: HEXSEALS: ALUMINUM INSERT
Temperature Range: HEXSEALS: -94°F to +400°F
Pressure Range: Exceeds 15 psi internal and 1500 psi external.
Operational Life: 50,000 actuations (minimum).
Shelf Life: Excess of 25 years.
Resistant to: Salt spray, sunlight, ozone, weather, fungus, and most acids and lubricating oils



THREAD 3/8-27NS-2B

B	REDRAWN AND MAT'L CHANGED		S. GOK	04.03.09
A	CAD COMPUTER GENERATED			09.23.02
REV.	DESCRIPTION			DATE
MAXIMUM AND MINIMUM MEASUREMENTS ARE STATED DIRECTLY ON EACH DIMENSION.		TITLE:	ENG.	
MAT'L: Silicone Rubber		BOOT-PLUNGER	DWN. CARBONE	05.13.69
A-A-59588, Gr.60		(1221/12)	CHKD. NICK	05.13.69
FINISH:		APM-HEXSEAL CORPORATION	SCALE 4:1	DWG. NO. (1221/12) HEXSEAL®

THIS DRAWING COVERS PROPRIETARY ITEM AND IS THE PROPERTY OF THE APM-HEXSEAL CORPORATION. THIS DRAWING IS NOT TO BE COPIED OR USED WITHOUT THE WRITTEN APPROVAL OF AN OFFICER OF THE APM-HEXSEAL CORPORATION.